

# Bio Plas

## Pipet Tips



**Reference Tip**

**Uni-Tip**

**Ultra Micro Tip**

**Siliconized Tip**

**Economical  
Alternatives  
To  
Brand Name  
Tips**



**BIO PLAS, Inc.,**

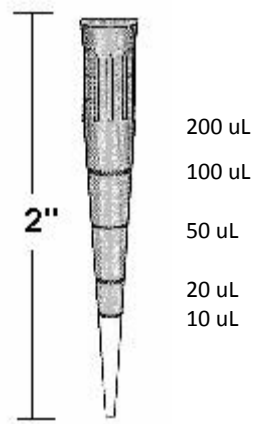
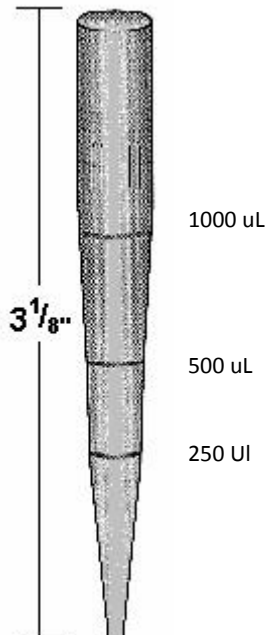
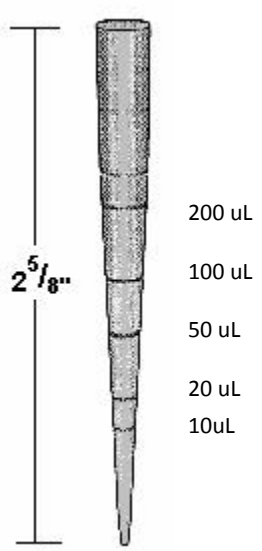
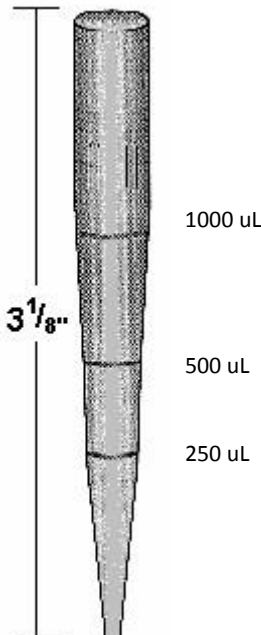
4340 Redwood Hwy, Suite A15, San Rafael, CA 94903 USA

Tel: (415) 668-8917 Fax: (415) 668-8354

e-mail: [info@bioplas.com](mailto:info@bioplas.com) web: [www.bioplas.com](http://www.bioplas.com)

# Reference Tips™

Reference Tip™ pipet tips have graduated marks for visually confirming the accuracies of pipettors. Easily detect malfunctioning or damaged pipettors which may require maintenance or repair. Rimless design and smooth bore construction allow for accurate and easy delivery of samples. Non-wettable virgin polypropylene. FDA accepted. The 96 well and 100 well rack designs feature a seamless bottom that does not “breathe in” bench debris and contaminate tips when rack lid is opened. All racks are autoclavable at 250° F for 15 minutes at 15 psi.

Reference Pipet Tips				Reference Slim Pipet Tips			
A – 1-250 uL		B – 101-1000 uL		C – 1-200 uL		D – 101-1000 uL	
<b>Replacement for:</b>		<b>Replacement for:</b>		<b>Replacement for:</b>		<b>Replacement for:</b>	
Eppendorf®	1-100 uL	Oxford®	200-1000 uL	Oxford® Series:		Oxford® Series:	
Pipetman™	1-200 uL	Eppendorf®	101-1000 uL	8000	10-200 uL	8000	600-1000 uL
Finnpipette	1-250 uL	Pipetman™	200-1000 uL	9000 Model Q	10-200 uL	9000 Model Q	600-1000 uL
Socorex	5-100 uL	Finnpipette	200-1000 uL	P-7000	1-200 uL	P-7000	200-1000 uL
		Socorex	101-1000 uL	3000	Adjustable	3000	Adjustable
				Abbott	1-200 uL	Abbott	600-1000 uL
				Helena	10-200 uL	Helena	501-1000 uL
				Quickpette		Quickpette	
							

	Catalog #	Packaging	Tips/Rack	Tips/Pkg.	Pkg./Cs.		Catalog #	Packaging	Tips/Rack	Tips/Pkg.	Pkg./Cs.
<b>A</b>	0001	Bag		1000	10	<b>C</b>	1012	Bag		1000	10
	001R	Rack	250	1000	10		1012R	Rack	250	1000	10
	001RN	Rack	96	960	10						
	001RS 1	Rack	96	960	10						
<b>B</b>	0002	Bag		1000	10	<b>D</b>	1212	Bag		1000	10
	0002R	Rack	250	1000	10		1212R	Rack	250	1000	10
	0002RN	Rack	100	1000	5		1212RN	Rack	100	1000	5
	0002RS 1	Rack	100	1000	5		1212RS 1	Rack	100	1000	5

BIO PLAS Inc.,

Phone: (415) 472-3777 Fax: (415) 472-3758

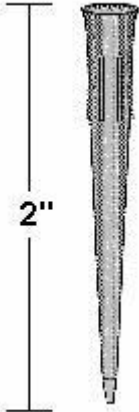
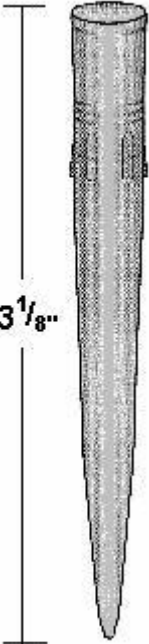
email: info@bioplas.com website: www.bioplas.com

# Uni-Tip™ - Universal Pipet Tips

## Uni-Tips™ Fit Multiple Brand Name Ejector Models

- Inventory Reduction
- Rimless
- Racked or In Bulk
- Autoclavable
- Cost Effective
- Virgin Polypropylene
- Trace Metal Free

Racked pipet tips allow the user to mount pipet tips in one efficient motion. The rack design features a seamless bottom that does not "breathe in" bench debris and contaminate tips when rack lid is opened. Racks are autoclavable at 250° F for 15 minutes at 15 psi.

1 – 250 uL		101 – 1000 uL	
	<p><b>Replacement for:</b></p> <p>Eppendorf® 1-100 uL            Pipetman™ 1-200 uL            Finnpiquette 1-250 uL            Socorex 5-100 uL</p>		<p><b>Replacement for:</b></p> <p>Eppendorf® 101-1000 uL            Pipetman™ 200-1000 uL            Oxford® 200-1000 uL            Finnpiquette 200-1000 uL            Socorex 101-1000 uL</p>

Catalog #	Packaging	Tips/ Rack	Tips /Pkg.	Pkg./Cs.	Catalog #	Packaging	Tips/ Rack	Tips /Pkg.	Pkg./Cs.
0003	Bag		1000	10	0004	Bag		1000	10
0003R	Rack	250	1000	10	0004R	Rack	250	1000	10
0003RN	Rack	96	960	10	0004RN	Rack	100	1000	10
0003RS1	Rack	96	960	10	0004RS1	Rack	100	1000	10

**BIO PLAS Inc.,**

Phone: (415) 472-3777 Fax: (415) 472-3758

email: [info@bioplas.com](mailto:info@bioplas.com) website: [www.bioplas.com](http://www.bioplas.com)

# Economical Equivalents to Brand Name Pipet Tips

Made from virgin, non-wettable polypropylene, these tips are designed to replace specific manufacturer's tips.

**For easy selection of replacement tips for your particular brand pipetter:**

- 1) Find the brand you are currently using on the chart below. *Example: Eppendorf®.*
- 2) Find the tip volume. *Example: 1-100 uL.*
- 3) Find the Tip Code at the bottom of the chart and use the code to locate the diagram and catalog number for the replacement tip in the charts on the following pages.

Equivalent pipet tips are available in bulk packaging (bagged) or racked:



**Bag**

Bulk 1000/Bag



**Rack**

Racks are autoclavable to 250° F for 15 minutes at 15 psi

BRAND NAME CROSS REFERENCE																			
Manufacturer/Brand	Tip Volume Range, uL																		
C/A Selecapette	100-1000																		
Eppendorf®		1-100	101-1000																
Finnpipette				1-250	200-1000														
Gilson Pipetman™						1-200	200-1000												
MLA®								10-200	250-1000										
Multi-Channel Titertek® and Octapette®											1-250								
Oxford®												5-200	1-200	250-500	600-1000	250-1000			
Oxford® Slim Tip													1-200			250-1000			
Sherwood/Lancer																	5-500		
Wheaton/Socorex																		5-100	101-1000
<b>Tip Code</b>	<b>A</b>	<b>B</b>	<b>C</b>	<b>D</b>	<b>E</b>	<b>F</b>	<b>G</b>	<b>H</b>	<b>I</b>	<b>J</b>	<b>K</b>	<b>L</b>	<b>M</b>	<b>N</b>	<b>O</b>	<b>P</b>	<b>Q</b>	<b>R</b>	










**BIO PLAS Inc.,**

Phone: (415) 472-3777 Fax: (415) 472-3758

email: info@bioplas.com website: www.bioplas.com

# Economical Equivalents to Brand Name Pipet Tips







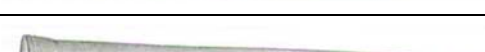


## Replacement Tip Chart

Tip Code	Diagram	Length In.	Catalog Numbers			
			Wells/Rack	Racks /pkg.	Racked	Bag (1000)
A	 Natural	4				1800
B	 Yellow	2	250 96 96	4 10 10	1300R 1300RN 1300RS <sub>1</sub>	1300
C	 Blue	3 1/8	250 100 100	4 10 10	1400R 1400RN 1400RS <sub>1</sub>	1400
D	 Natural	2	250 96 96	4 10 10	2400R 2400RN 2400RS <sub>1</sub>	2400
E	 Green	3 1/8	250 100 100	4 10 10	2500R 2500RN 2500RS <sub>1</sub>	2500
F	 Yellow	2	250 96 96	4 10 10	2000R 2000RN 2000RS <sub>1</sub>	2000
G	 Blue	3 1/8	250 100 100	4 10 10	2100R 2100RN 2100RS <sub>1</sub>	2100
H	 Natural	1 7/8	250 96 96	4 10 10	1600R 1600RN 1600RS <sub>1</sub>	1600
I	 Natural	3 3/8	250	4	1700R	1700

1 Sterile

# Economical Equivalents to Brand Name Pipet Tips

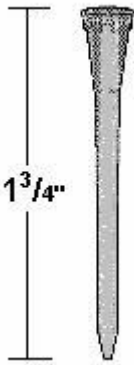
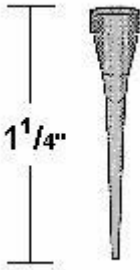
## Replacement Tip Chart

Tip Code	Diagram	Length In.	Catalog Numbers			
			Wells/Rack	Racks /pkg.	Racked	Bag (1000)
J	 Natural	2	96 96 96	10 10 10	3500R 3500RN 3500RS <sub>1</sub>	3500
K	 Natural	1 ¾	250	4	1000R	1000
L	 Natural	2 ½	250	4	1010R	1010
M	 Yellow	2 ¾				1100
N	 Green	3 ½	250 100 100	4 10 10	1200R 1200RN 1200RS <sub>1</sub>	1200
O	 Blue	3	250 100 100	4 10 10	1211R 1211RN 1211RS <sub>1</sub>	1211
P	 Natural	2 ¾				1500
Q	 Yellow	2	250 96 96	4 10 10	2600R 2600RN 2600RS <sub>1</sub>	2600
R	 Blue	1 ¾	250 100 100	4 10 10	2700R 2700RN 2700RS <sub>1</sub>	2700

1 Sterile

# Ultra-Micro Tips

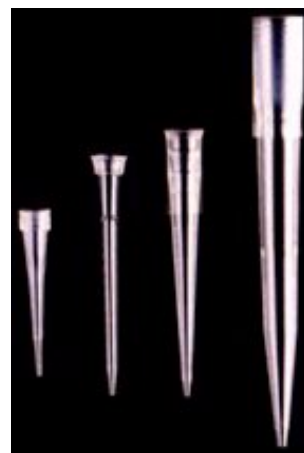
Designed to fit the full range of Eppendorf®, Pipetman™ and Oxford® Benchmate® Ultra Micro Pipetters. Thin, tapered delivery end eliminates carryover during pipetting. Manufactured with natural virgin polypropylene and warranted to be trace metal free. Racked pipet tips allow the user to mount pipet tips in one efficient motion. The rack design features a seamless bottom that does not “breathe in” bench debris and contaminate tips when rack lid is opened. Racks are autoclavable at 250° F for 15 minutes at 15 psi.

0.5 – 10 uL	0.1 – 10 uL
 <p><b>Replacement for:</b></p> <p>Eppendorf®                    0.5-10 uL            Oxford® Benchmate®   0.5-10 uL</p>	 <p><b>Replacement for:</b></p> <p>Pipetman™            Model P-2    0.1-2.0 uL            Model P-10   0.5-10 uL</p>

Catalog #	Packaging	Tips/ Rack	Tips /Pkg.	Pkg./Cs.	Catalog #	Packaging	Tips/ Rack	Tips /Pkg.	Pkg./Cs.
1310	Bag		1000	10	2010	Bag		1000	10
1310RN	Rack	96	960	10	2010RN	Rack	96	960	10
1310RS1	Rack	96	960	10	2010RS1	Rack	96	960	10

# Siliconized Pipet Tips

- Universal fit that will provide an absolute seal on these single channel pipettors
- Specially formatted siliconized polypropylene to help eliminate sample residue and cross-contamination
- Allows for precise and complete sample delivery
- Ideal for use in DNA and Thermal Cycling Procedures
- Low adhesion surface assures complete transfer of samples
- Prevents protein or nucleic acid adherence



1 – 200 uL		100 – 1000 uL	
	<p><b>Replacement for:</b></p> <p>Eppendorf® 1-100 uL            Pipetman™ 1-200 uL            Finnpiquette 1-250 uL            Socorex 5-100 uL</p>		<p><b>Replacement for:</b></p> <p>Eppendorf® 101-1000 uL            Pipetman™ 200-1000 uL            Oxford® 250-1000 uL            Finnpiquette 200-1000 uL            Socorex 101-1000 uL</p>

Catalog #	Packaging	Tips/ Rack	Tips /Pkg.	Pkg./Cs.	Catalog #	Packaging	Tips/ Rack	Tips /Pkg.	Pkg./Cs.
3600SL	Bag		500	20	3605SL	Bag		500	20
3601SRS1	Rack	96	960	1	3606SRS1	Rack	100	1000	1