



**BIO PLAS INC.**  
INNOVATIVE IDEAS...  
FOR TODAY'S LABORATORY DISPOSABLES  
MADE IN THE USA



**Designed and Manufactured in the USA!**

## 2018 Bio Plas, Inc. Product Literature

[Hexa-Flex™ Safety Caps](#)

**64, 96 Well Micro Tube Racks**

[80 Well Micro Tube Racks](#)

**Astral® Inoculation System**

[Bacti Cell Spreaders](#)

**Biopsy Bags**

[Consumables for Thermal Cycling](#)

**Embedding and Infiltration Paraffin**

[G-Tube® Flat Top Microcentrifuge Tubes](#)

**Histo Plas Capsettes™ and Uni-Capsettes™**

[Histo Plas Tissue Processing](#)

**Micro Tube Tool**

[Pestles](#)

**Polyester Foam Test Tube & Microcentrifuge Racks**

[Screw Cap Microcentrifuge Tubes](#)

**Siliconized G-Tube® Flat Top Microcentrifuge Tubes**

[Siliconized Screw-Cap Microcentrifuge Tubes Snap-](#)

**Cap Microcentrifuge Tubes**

[Sterilized Cryogenic Tubes](#)

**Uni-Flex® Safety Caps**

[Pipet Tips](#)

**BIO PLAS, INC. A WOMAN OWNED SMALL BUSINESS**  
4380 Redwood Hwy, Suite C-16, San Rafael, CA 94903 USA  
Tel: (415) 472-3777 Fax: (415) 472-3758  
info@bioplas.com www.bioplas.com  
Hexa-Flex™ is a trademarks of Bio Plas, Inc., San Rafael, CA



**BIO PLAS INC.**  
INNOVATIVE IDEAS...  
FOR TODAY'S LABORATORY DISPOSABLES  
MADE IN THE USA



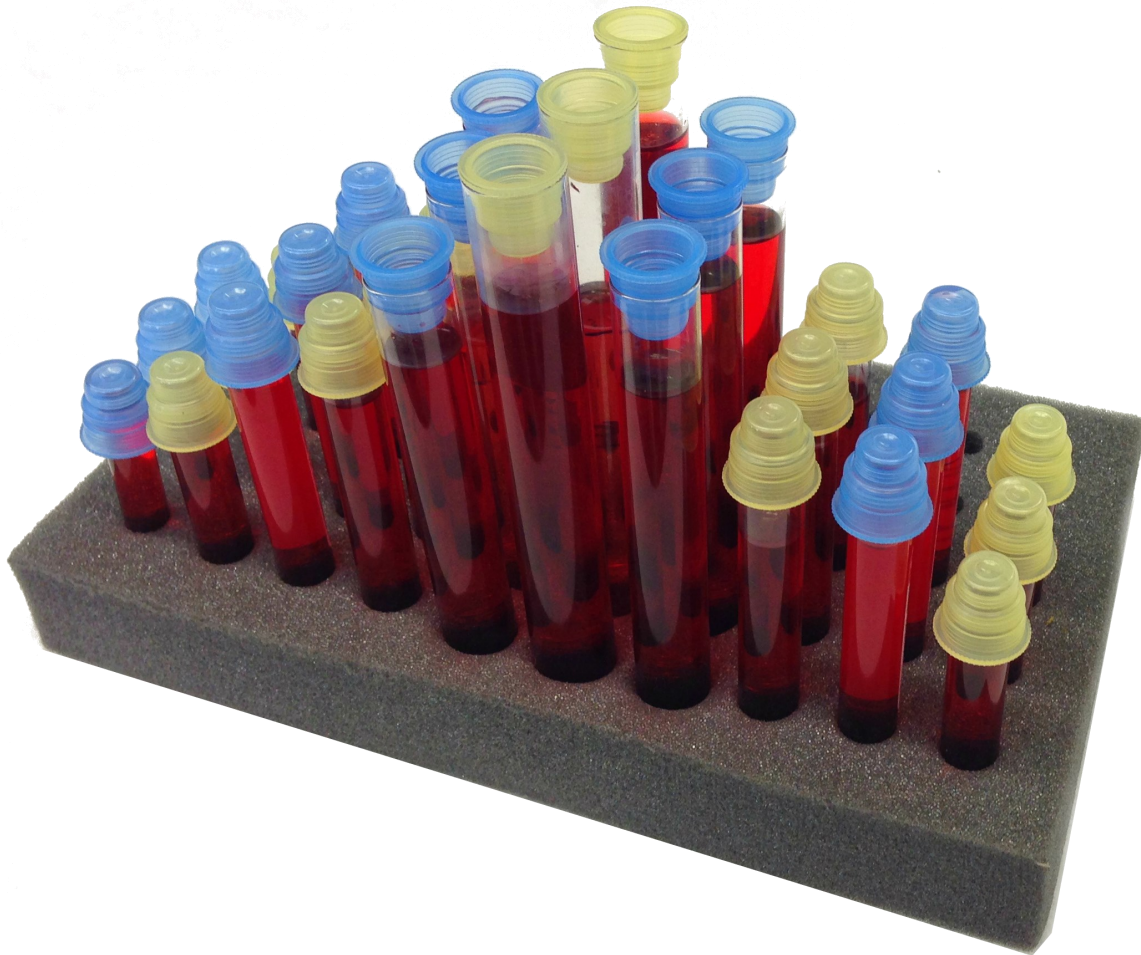
**Designed and Manufactured in the USA!**

## Hexa-Flex™ Safety Caps

The Premium Multiple-Fit Tube Cap

*Fits six different size tubes*

A safe, economical way to cap and recap blood collection tubes and disposable glass culture tubes, regardless of manufacturer. Hexa-Flex™ Safety Caps are available for a wide range of biomedical and industrial applications and fit six different sized tubes. Hexa-Flex™ Safety Caps come in a variety of colors for coding samples.



**BIO PLAS, INC. A WOMAN OWNED SMALL BUSINESS**

4380 Redwood Hwy, Suite C-16, San Rafael, CA 94903 USA

Tel: (415) 472-3777 Fax: (415) 472-3758

info@bioplas.com www.bioplas.com

Hexa-Flex™ is a trademarks of Bio Plas, Inc., San Rafael, CA



**Designed and Manufactured in the USA!**

The Hexa-Flex™ liquid-tight seal ensures sample integrity and prevents spillage of serum samples. Hexa-Flex™ Safety Caps are made of polyethylene and are available in a variety of colors, which helps guard against sample cross-contamination and is convenient for color-coding to particular R&D projects. Hexa-Flex™ Safety Caps protect your laboratory staff from highly-infectious organisms such as TB and the HTLV-III virus.

**Hexa-Flex™ Safety Caps:**

- Fits a variety of tubes, including 10, 12, 13, 16 and 18mm sizes of blood collecting and disposable culture tubes.
- Liquid-tight seal prevents sample evaporation. The Hexa-Flex™ Safety Cap is designed to hold under centrifugation, agitation, refrigeration and freezing.
- Easy identification of samples. Hexa-Flex™ Safety Caps are available in seven colors that conveniently correspond to blood collection cap colors.
- Lock securely onto, or into, the tube lip to prevent evaporation.
- Easy, one-hand removal and application. To close, press down firmly with thumb to lock in place. To open, simply pry cap up.
- Clear, natural colored caps are trace-metal free.



Ordering Information			
Catalog #	Description	Pkg. Qty	Pkgs./ Case
8350	For 10mm, 12mm, 13mm, 16mm and 18mm Blood Collection and Culture Tubes, Natural	500	10
8355	For 10mm, 12mm, 13mm, 16mm and 18mm Blood Collection and Culture Tubes, Red	500	10
8360	For 10mm, 12mm, 13mm, 16mm and 18mm Blood Collection and Culture Tubes, Lavender	500	10
8365	For 10mm, 12mm, 13mm, 16mm and 18mm Blood Collection and Culture Tubes, Green	500	10
8370	For 10mm, 12mm, 13mm, 16mm and 18mm Blood Collection and Culture Tubes, Blue	500	10
8375	For 10mm, 12mm, 13mm, 16mm and 18mm Blood Collection and Culture Tubes, Grey	500	10
8380	For 10mm, 12mm, 13mm, 16mm and 18mm Blood Collection and Culture Tubes, Yellow	500	10

**BIO PLAS, INC. A WOMAN OWNED SMALL BUSINESS**  
 4380 Redwood Hwy, Suite C-16, San Rafael, CA 94903 USA  
 Tel: (415) 472-3777 Fax: (415) 472-3758  
 info@bioplas.com www.bioplas.com  
 Hexa-Flex™ is a trademarks of Bio Plas, Inc., San Rafael, CA

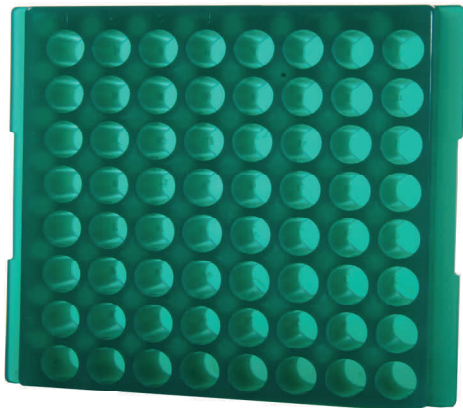


## 96 and 64 Well Reversible Micro Tube Racks & Covers

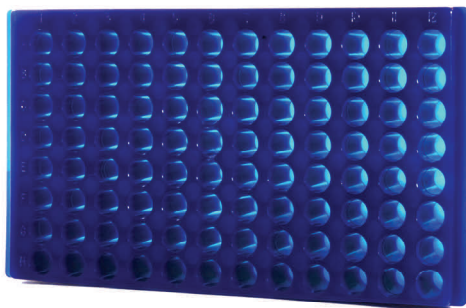
Both the 96 and 64 Well "Reversible" Micro Tube Racks are designed so that one side of the rack accommodates 0.5ml microcentrifuge tubes. The reverse side holds 1.5ml to 2.0ml microcentrifuge tubes and screw cap microcentrifuge tubes. A great replacement for cardboard or metal freezer racks.

The clear polypropylene cover on the **96 and 64 Well Reversible Micro Tube Racks** easily snaps on to keep it firmly in place during transportation and storage. A recessed area in the top of the covers allows for secure stacking of racks one on top of each other. The snap on cover is designed to accommodate the extra height of our Screw Cap Microcentrifuge Tubes. Two frosted writing areas for sample identification. They are autoclavable: 15 minutes, 15lbs. @ 120° C and will withstand freezer storage to -90°C. Alpha-numeric markings, "A" thru "H" vertically, 1 thru 8 horizontally. Molded indexing is featured for easy reference. Cover sold separately.

Racks and Covers sold separately



64 Well Micro Tube Rack,  
Green, 0083



96 Well Micro Tube Rack, Blue  
0092

### Ordering Information

64 Well Catalog #	96 Well Catalog #	Description	Pkg. Qty	Pkgs./ Case
0080	0090	Micro Tube Rack, Natural	5	4
0081	0091	Micro Tube Rack, Assorted	5	4
N/A	0092	Micro Tube Rack, Blue	5	4
0083	0093	Micro Tube Rack, Green	5	4
0084	0094	Micro Tube Rack, Orange	5	4
0085	0095	Micro Tube Rack, Pink	5	4
N/A	0096	Micro Tube Rack, Yellow	5	4
0087	0097	Micro Tube Rack, Lavender	5	4
0089	0099	Micro Tube Rack, Black	5	4
N/A	0052	Tube Rack Cover, Natural	5	4

Autoclavable  
 at  
 250°F  
 at  
 15 psi  
 for  
 15 mins

**BIO PLAS, INC. A WOMAN OWNED SMALL BUSINESS**

4380 Redwood Hwy, Suite C-16, San Rafael, CA 94903 USA

Tel: (415) 472-3777 Fax: (415) 472-3758

info@bioplas.com www.bioplas.com



**Designed and Manufactured in the USA!**

## 80 Well Micro Tube Racks

The 80 Well Micro Tube Racks are designed with 80 wells in a 16 x 5 configuration with each well numbered for convenient sample identification. Rack dimensions are 9"L x 2 1/16"D with a well diameter of 10.5mm.

Available in 10 colors. This assortment of colors allows lab technologists to color code specific projects and allows for identification of hazardous experiments. Cover sold separately.



### Ordering Information

Catalog #	Description	Pkg. Qty	Pkgs./Case
0060	80 Well Micro Tube Rack, Natural	5	4
0061	80 Well Micro Tube Rack, Assorted*	5	4
0062	80 Well Micro Tube Rack, Blue	5	4
0063	80 Well Micro Tube Rack, Green	5	4
0064	80 Well Micro Tube Rack, Orange	5	4
0065	80 Well Micro Tube Rack, Pink	5	4
0066	80 Well Micro Tube Rack, Yellow	5	4
0067	80 Well Micro Tube Rack, Lavender	5	4
0068	80 Well Micro Tube Rack, Red	5	4
0069	80 Well Micro Tube Rack, Black	5	4

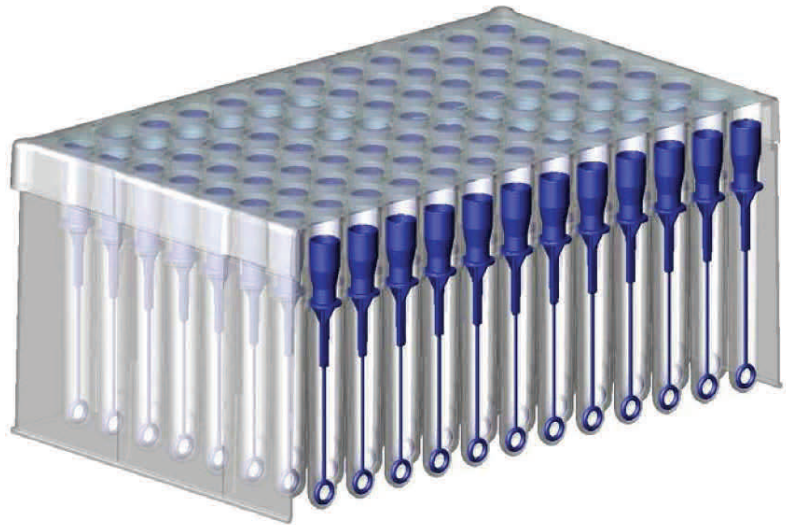
Autoclavable  
 at  
 250°F  
 at  
 15 psi  
 for  
 15 mins



**BIO PLAS INC.**  
INNOVATIVE IDEAS...  
FOR TODAY'S LABORATORY DISPOSABLES  
MADE IN THE USA



## Astral® Inoculation System



**BIO PLAS, INC. A WOMAN OWNED SMALL BUSINESS**

4380 Redwood Hwy, Suite C-16, San Rafael, CA 94903 USA

Tel: (415) 472-3777 Fax: (415) 472-3758

info@bioplas.com www.bioplas.com

Astral is a registered trademark of Bio Plas, Inc., San Rafael, CA



The disposable **Bio Plas Astral® Inoculation System** is color coded and consists of the following; 1 uL yellow Astral Loop, 10 uL blue Astral Loop and white Astral Streaking Needle. During manufacturing, these Astral Loops are inserted into racks which have 96 individual tubular chambers. When the 96 chambers are filled with the Astral Loops they are then hermetically sealed with a thin foil membrane. A dust cover is placed over this 96 chamber rack, heat shrunk and sterilized by electron beam. Additionally all Astral Loops are certified to be free of RNase, DNase, DNA, pyrogens and PCR inhibitors.

The handle is designed to be used with one hand and will easily puncture the membrane attaching itself to the hub of the Astral Loop. It may then be withdrawn from its individual sterile chamber ready to be used for inoculation or streaking. When the inoculation or streaking process is complete, the Astral Loop or Astral Streaking Needle may then be ejected off the Astral Handle.

This easy to use and ruggedly designed Astral Handle may be autoclaved repeatedly, without damage to the handle.

**STEP I**

Tip of the Astral Handle pierces and penetrates sealing film



**STEP II**

Astral Handle locks onto Astral Loop or Astral Streaking Needle



**STEP III**

Astral Handle withdrawing sterile Astral Loop or Astral Streaking Needle



Every case of 10 96-rack package is supplied with a free Astral Handle.

*This illustration shows the three easy and rapid steps used to extract a sterilized 10uL Astral Loop from its sealed chamber.*

Autoclavable at 250°F at 15 psi for 15 mins

**BIO PLAS, INC. A WOMAN OWNED SMALL BUSINESS**

4380 Redwood Hwy, Suite C-16, San Rafael, CA 94903 USA  
Tel: (415) 472-3777 Fax: (415) 472-3758  
info@bioplas.com www.bioplas.com  
*Astral is a registered trademark of Bio Plas, Inc., San Rafael, CA*



**Procedures:** All Astral Loops may be used in quantitative procedures such as sampling, urine counts, serial dilutions, and bacteriological inoculation



**1uL Astral Inoculating Loop**

Catalog Number 7000

**SAFETY:** Astral Loops eliminate the metal or wire loop flaming step and the hazards of spattering, cross-contamination, and the risk of infectious pathogens caused as a result of aerosols, and the hazards of open flame.

**CONVENIENCE:** All Astral Loops may be quickly extracted from the sterilized rack by using the Astral Handle. These Astral Loops are flexible enough to facilitate streaking but rigid enough to penetrate the media for inoculation.

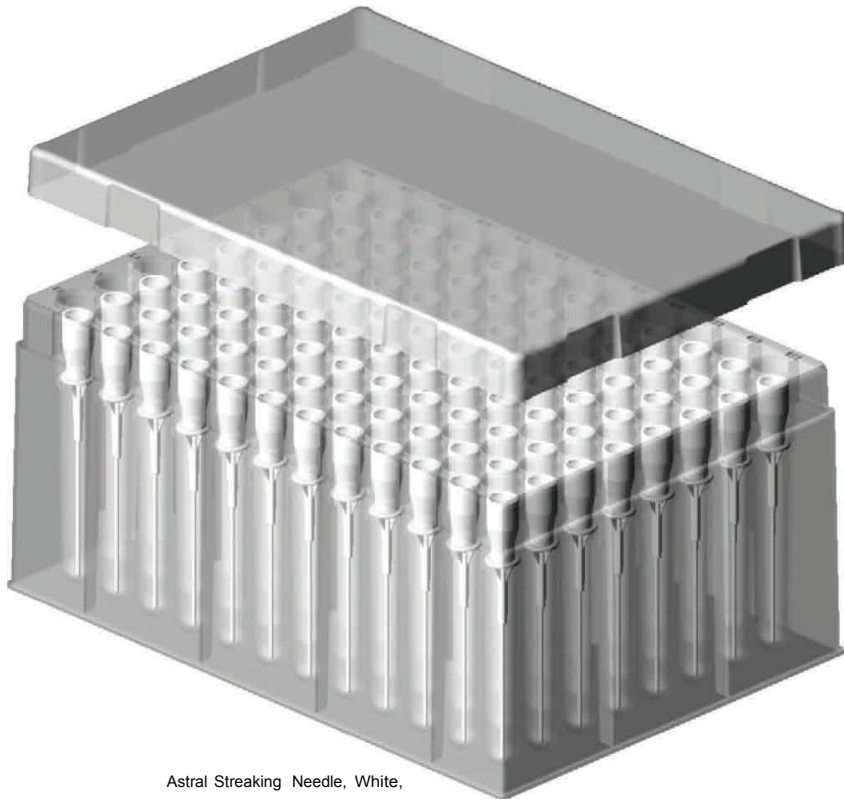
**TIME SAVINGS:** The Astral Inoculation System allows the technologist to inoculate prepared plates at an extremely rapid rate in any laboratory setting or condition, i.e., anaerobic chambers, fume hoods, satellite labs or, in the field.

**ECONOMY:** The savings can be substantial; fewer plates used, guaranteed sterility and cleanliness, zero cross-contamination and speed of use

Autoclavable  
at  
250°F  
at  
15 psi  
for  
15 mins

**BIO PLAS, INC. A WOMAN OWNED SMALL BUSINESS**  
4380 Redwood Hwy, Suite C-16, San Rafael, CA 94903 USA  
Tel: (415) 472-3777 Fax: (415) 472-3758  
info@bioplas.com www.bioplas.com





Astral Streaking Needle, White,  
7020



Astral Handle, 7050

Ordering Information			
Catalog #	Description	Pkg. Qty	Pkgs./Case
7000	1uL Astral Inoculation Loop, Yellow	96/Rack	10
7010	10uL Astral Inoculating Loop, Blue	96/Rack	10
7020	Astral Streaking Needle, White	96/Rack	10
7050	Astral Handle	1	1

**Minimum Order One Case.**

*Astral is a Registered Trademark of Bio Plas, inc. \*Patent Number: 5,330,899.*

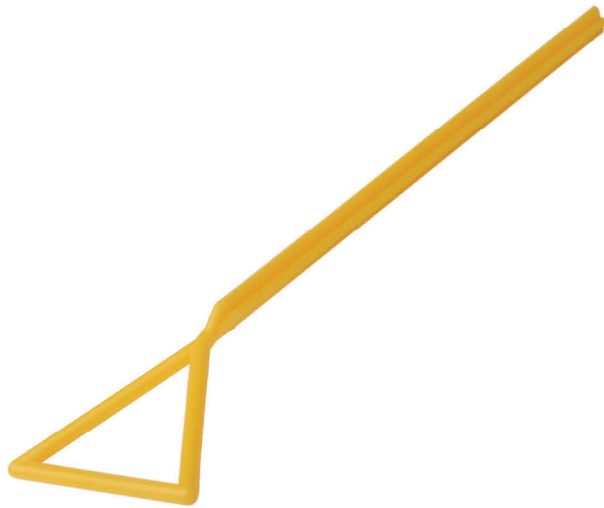
**Autoclavable**  
at  
250°F  
at  
15 psi  
for  
15 mins

**BIO PLAS, INC. A WOMAN OWNED SMALL BUSINESS**  
4380 Redwood Hwy, Suite C-16, San Rafael, CA 94903 USA  
Tel: (415) 472-3777 Fax: (415) 472-3758  
info@bioplas.com www.bioplas.com  
*Astral is a registered trademarks of Bio Plas, Inc., San Rafael, CA*

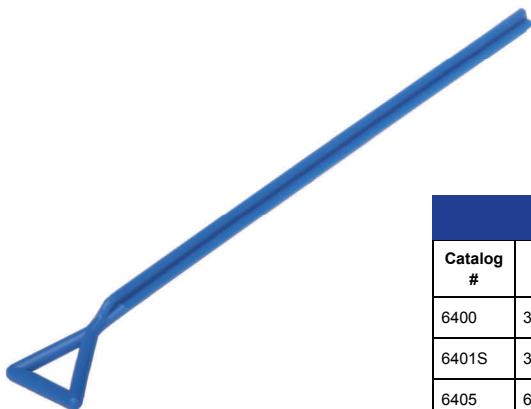


## Bacti Cell Spreaders

The **Bio Plas® Bacti Cell Spreaders** are unique products designed to greatly simplify and speed up bacterial culture work. There are two sizes: 30mm and 60mm wide, which allow these polypropylene **Bacti Cell Spreaders** to make it very easy to evenly distribute bacterial cells rapidly over an entire nutrient surface. The **Bacti Cell Spreaders** are individually wrapped (or available in bulk) and may be cleaned and autoclaved for multiple uses.



30mm Bacti Cell Spreader,  
 Yellow, 6405



30mm Bacti Cell Spreader,  
 Blue, 6400

### **Bacti Cell Spreader Benefits:**

- Autoclavable, non-breakable (eliminates glass hazard)
- 30mm head for prepared bi-plates
- 60mm head for 100-150mm prepared plates
- Sturdy plastic provides uniform design
- Easy to manipulate without slippage
- Easy to manipulate around curves and into corners of prepared plates
- Avoids waste of "disposables" thus becoming an environmental benefit
- Always prevents agar surface tears
- Allows for even distribution of specimen
- Produces an even smear for any permanent slide staining, i.e., PVA preserved fecal specimen for protozoan parasites
- Microbiological research of all types, especially for distribution of dilutions, i.e., colony counts

### Ordering Information

Catalog #	Description	Pkg. Qty	Pkgs./ Case
6400	30mm Bacti Cell Spreader, Blue	25	4
6401S	30mm Bacti Cell Spreader, Blue , Sterile	25 Individually Wrapped	4
6405	60mm Bacti Cell Spreader, Yellow	25	4
6406S	60mm , YelloBacti Cell Spreader, Sterile	25 Individually Wrapped	4

Autoclavable  
 at  
 250°F  
 at  
 15 psi  
 for  
 15 mins

### **BIO PLAS, INC. A WOMAN OWNED SMALL BUSINESS**

4380 Redwood Hwy, Suite C-16, San Rafael, CA 94903 USA

Tel: (415) 472-3777 Fax: (415) 472-3758

info@bioplas.com www.bioplas.com

Bio Plas® is a registered trademarks of Bio Plas, Inc., San Rafael, CA



## Consumables For Thermal Cycling Procedures: 0.2mL Thin-Wall Micro Reaction Tubes & Strip Caps

*Designed for use with 96 Well Thermal Cyclers*

### **Thin Wall Micro Reaction Tubes Benefits:**

- Tubes provide optimal contact with the sample block, thus ensuring optimal heat transfer
- Prevents cross-contamination
- Provides secure seal for oil-free thermal cycling
- Individual 0.2mL Thin Wall Tubes require an 8 or 12 Strip Cap to seal each Tube individually
- Fabricated from virgin polypropylene
- Highly polished inner surface allows for maximum sample recovery
- Capacity: Recommended maximum volume for Thermal Cycling amplifications is 100uL. Maximum fill volume for post - Thermal Cycling reagent additions to permit mixing is 200uL.
- Tubes and Strip Caps are packaged non-sterile and are autoclavable at 121 degrees C, 15 PSI for 15 minutes. Remove from autoclave immediately
- Strip Tubes and Strip Caps may be easily cut

*The **MULTICAP TOOL** (catalog # 5050-15) ensures the fast, maximum seal of Caps to Tubes, and opening of Tubes*

CAUTION: Tubes are not intended for storage or centrifugation of organic solvents; not intended for use with S 35 radiolabelled compounds



8 Strip 0.2mL Micro Tubes for Thermal Cycling, Blue, 5010-4

**Autoclavable**  
 at  
 250°F  
 at  
 15 psi  
 for  
 15 mins

### Ordering Information

Catalog #	Description	Pkg. Qty	Pkgs./ Case
5000-1	0.2mL Micro Tubes for Thermal Cycling, Bulk, Natural	1000	12
5000-2	0.2mL Micro Tubes for Thermal Cycling, Bulk, Red	1000	12
5000-3	0.2mL Micro Tubes for Thermal Cycling, Bulk, Yellow	1000	12
5000-4	0.2mL Micro Tubes for Thermal Cycling, Bulk, Blue	1000	12
5000-5	0.2mL Micro Tubes for Thermal Cycling, Bulk, Green	1000	12
5010-1	8 Strip 0.2mL Micro Tubes for Thermal Cycling, Natural	125	12
5010-2	8 Strip 0.2mL Micro Tubes for Thermal Cycling, Red	125	12
5010-3	8 Strip 0.2mL Micro Tubes for Thermal Cycling, Yellow	125	12
5010-4	8 Strip 0.2mL Micro Tubes for Thermal Cycling, Blue	125	12
5010-5	8 Strip 0.2mL Micro Tubes for Thermal Cycling, Green	125	12
5020-1	12 Strip 0.2mL Micro Tubes for Thermal Cycling, Natural	100	12
5020-2	12 Strip 0.2mL Micro Tubes for Thermal Cycling, Red	100	12
5020-3	12 Strip 0.2mL Micro Tubes for Thermal Cycling, Yellow	100	12
5020-4	12 Strip 0.2mL Micro Tubes for Thermal Cycling, Blue	100	12
5020-5	12 Strip 0.2mL Micro Tubes for Thermal Cycling, Green	100	12
5030-1	8 Strip Caps 0.2mL Micro Tubes for Thermal Cycling, Natural	300	12
5035-1	8 Strip Caps 0.2mL Micro Tubes for Thermal Cycling, Natural	130	24
5040-1	12 Strip Caps 0.2mL Micro Tubes for Thermal Cycling, Natural	200	12

**BIO PLAS, INC. A WOMAN OWNED SMALL BUSINESS**

4380 Redwood Hwy, Suite C-16, San Rafael, CA 94903 USA

Tel: (415) 472-3777 Fax: (415) 472-3758

info@bioplas.com www.bioplas.com



## 96 Well Preparation Racks & 0.2mL & 0.5mL Conical Thin-Wall Micro Reaction Tubes with Attached Caps

*For Thin Wall Micro Reaction Tubes*

### 96 Well Preparation Rack Benefits:

- Designed as preparation and storage racks for any variety of 0.2mL Tubes and Strip Caps before and after sample processing application
- Formatted in the standard 8 x 12 microtiter format
- Identified "A" through "H" vertically, and 1 through 12 horizontally, providing convenient and error free Tube identification
- Transparent plastic cover with new "slip edge" allowing safe storage of multi racks which can maximize bench top space



Multi-Cap Tool, 5050-15



96 Well Preparation Rack, with Cover, Fluorescent, Blue, 0030F

### Conical Thin Wall Micro Reaction Tubes with Attached Caps Benefits:

- 0.5 mL Frosted Flat Cap surface for sample inscription
- Tubes fabricated from virgin polypropylene
- Highly polished inner surface allows for maximum sample recovery
- Tubes are autoclavable at 121 degrees C, 15 PSI for 15 minutes -- Remove Tubes from autoclave immediately
- Secure lid closure with the Multi-Cap Tool, Cat. #5050-15, assisting in the closing and opening and prevents aerosolizing

CAUTION: Tubes are not intended for storage or centrifugation of organic solvents; not intended for use with S 35 radiolabelled compounds

### Ordering Information

Catalog #	Description	Pkg. Qty	Pkgs./ Case
0030F	96 Well Preparation Rack, with Cover, Fluorescent, Blue	5	4
0031F	96 Well Preparation Rack, with Cover, Fluorescent, Green	5	4
0032F	96 Well Preparation Rack, with Cover, Fluorescent, Orange	5	4
0033F	96 Well Preparation Rack, with Cover, Fluorescent, Pink	5	4
0034F	96 Well Preparation Rack, with Cover, Fluorescent, Yellow	5	4
0035F	96 Well Preparation Rack, with Cover, Fluorescent, Assorted	5	4
5045-1	0.2mL Conical Thin Wall Tube, Natural	1000	12
5045-2	0.2mL Conical Thin Wall Tube, Red	1000	12
5045-3	0.2mL Conical Thin Wall Tube, Yellow	1000	12
5045-4	0.2mL Conical Thin Wall Tube, Blue	1000	12
5045-5	0.2mL Conical Thin Wall Tube, Green	1000	12
5050-1	0.5mL Conical Thin Wall Tube, Natural	125	10
5050-2	0.5mL Conical Thin Wall Tube, Red	125	10
5050-3	0.5mL Conical Thin Wall Tube, Yellow	125	10
5050-4	0.5mL Conical Thin Wall Tube, Blue	125	10
5050-5	0.5mL Conical Thin Wall Tube, Green	125	10
5050-15	Multi-Cap Tool	1	1

**BIO PLAS, INC. A WOMAN OWNED SMALL BUSINESS**

4380 Redwood Hwy, Suite C-16, San Rafael, CA 94903 USA

Tel: (415) 472-3777 Fax: (415) 472-3758

info@bioplas.com www.bioplas.com



## Bio Plas G-Tube® Premium Flat Top Microcentrifuge Tubes

The **G-Tube® Flat Top Microcentrifuge Tube** is virtually transparent with superior toughness.

**When the G-Tube** cap is closed there will be an audible "snap" that indicates a secure closure has been formed.

Made of tough, clear, proprietary formulated polypropylene, the 0.6mL, 1.5mL and 2.0mL **G-Tube** has the same chemical resistant quality as standard tubes, but they're sturdier and virtually transparent to give a better view. The flat top cap is easy to open and still provides a maximum secure seal. All three volumes are available in siliconized material. Siliconized G-Tubes are not recommended for autoclaving.

The **G-Tube** is built for high impact usage and will withstand over 30,000 x G when spun. Thicker walls make this the tube of choice for extreme stress, high spinning speeds, autoclaving, boiling, chemical resistance and freezing. Will withstand temperature ranges of -80°C (-112°F) to 121 °C (250°F).



0.6mL G-Tube® Flat Top  
Microcentrifuge Tube, Green,4044



**BIO PLAS, INC. A WOMAN OWNED SMALL BUSINESS**  
4380 Redwood Hwy, Suite C-16, San Rafael, CA 94903 USA  
Tel: (415) 472-3777 Fax: (415) 472-3758  
info@bioplas.com www.bioplas.com

*G-Tube® is a registered trademark of Bio Plas, Inc., San Rafael, CA*



0.6mL G-Tube® Flat Top  
Microcentrifuge Tube, Yellow,4042



1.5mL G-Tube® Flat Top  
Microcentrifuge Tube, Blue 4031



2.0mL G-Tube® Flat Top  
Microcentrifuge Tube, Green,4056

**G-Tube® Flat Top Microcentrifuge Tube Features:**

- Made from high quality medical grade resins
- RNase and DNase free. Human DNA free. Non-Pyrogenic
- Ultra low retention
- Lid Closure: The flat top lid forms an extra-tight seal that will not come open during processing. Yet, it's easy to open with thumb pressure or our handy **MicroTube Tool** (catalog #4000.)
- Bio Plas G-Tubes have a textured writing surface on top of the caps. The 1.5ml and 2.0 mL tubes have an additional textured writing surface on the side of the tubes
- Graduation: The 1.5ml tubes and 2.0ml tubes are graduated every 0.1ml
- Boilproof
- Will withstand speeds up to 30,000 X G
- Easy needle access through the piercing port in the exact center of the cap
- Autoclavable at 250°F at 15 psi for 15 minutes.
- Withstand temperature ranges from -80°C to 121°C

**Ordering Information**

0.6 mL Catalog #	1.5 mL Catalog #	2.0 mL Catalog #	Description	Pkg. Qty	Pkgs./Case
4040	4030	4050	G-Tube® Flat Top Microcentrifuge Tube, Natural	500	20
4041	4031	4051	G-Tube® Flat Top Microcentrifuge Tube, Red	500	20
4042	4032	4052	G-Tube® Flat Top Microcentrifuge Tube, Yellow	500	20
4043	4033	4053	G-Tube® Flat Top Microcentrifuge Tube, Blue	500	20
4044	4034	4054	G-Tube® Flat Top Microcentrifuge Tube, Green	500	20
4046	4036	4056	G-Tube® Flat Top Microcentrifuge Tube, Orange	500	20
4047	4037	4057	G-Tube® Flat Top Microcentrifuge Tube, Lavender	500	20
4048	4038	4058	G-Tube® Flat Top Microcentrifuge Tube, Amber	500	20
4049	4039	4059	G-Tube® Flat Top Microcentrifuge Tube, Rainbow	500	20

**BIO PLAS, INC. A WOMAN OWNED SMALL BUSINESS**

4380 Redwood Hwy, Suite C-16, San Rafael, CA 94903 USA

Tel: (415) 472-3777 Fax: (415) 472-3758

info@bioplas.com www.bioplas.com

G-Tube® is a registered trademark of Bio Plas, Inc., San Rafael, CA



## Histology: Capsettes™ & Uni Capsettes™



Capsettes™, Blue, 6034



Uni-Capsettes™, Aqua, 6059



Capsettes™, Pink, 6032

**Histo Plas™ Capsettes™** and **Uni-Capsettes™** provide a modular, organized means for safe and consistent processing, embedding, sectioning and storage of specimen samples. Available in 16 colors which provide a convenient means of separating surgical and autopsy cases, institutions, pathologist, etc. Both the **Histo Plas Capsettes** and **Uni-Capsettes** are accepted by all of the current automatic cassette labelers.

Cost effective, yet quality engineered to remain sealed during processing. Strategically designed slots allow for efficient solvent flow and drainage, **Histo Plas Capsettes** and **Uni-Capsettes** will not float during processing. Our rigid design eliminates undersized cassettes during sectioning. Proprietary acetyl copolymer plastic is utilized to resist heat, solvents, decalcifying solutions, and problems associated with microwave processing. **Histo Plas Capsettes** and **Uni-Capsettes** will fit standard stainless steel, and disposable plastic base molds. **Uni-Capsettes** are sold in packages of 500 disposable plastic tops and (500 specimen) bottoms technologists no longer need to struggle with detachment of the lid during embedding.

**BIO PLAS, INC. A WOMAN OWNED SMALL BUSINESS**

4380 Redwood Hwy, Suite C-16, San Rafael, CA 94903 USA

Tel: (415) 472-3777 Fax: (415) 472-3758

info@bioplas.com www.bioplas.com

*Histo Plas Capsettes™ and Uni-Capsettes™ are trademarks of Bio Plas, Inc., San Rafael, CA*



**Histo Plas™ Capsettes™ and Uni-Capsettes™ Benefits:**

- Heavy wall Construction will not float
- Will not open during processing
- Economical, 16 Colors
- Engineered to eliminate “chatter” during sectioning



Uni-Capsettes™, Burnt Orange  
6056

**Ordering Information**

Uni-Capsettes™ Catalog #	Capsettes™ Catalog #	Description	Pkg. Qty	Pkgs./ Case
6050	6030	Uni-Capsettes™/Capsettes™, White	500	10
6051	6031	Uni-Capsettes™/Capsettes™, Yellow	500	10
6052	6032	Uni-Capsettes™/Capsettes™, Pink	500	10
6053	6033	Uni-Capsettes™/Capsettes™, Green	500	10
6054	6034	Uni-Capsettes™/Capsettes™, Blue	500	10
6055	6035	Uni-Capsettes™/Capsettes™, Tan	500	10
6056	6036	Uni-Capsettes™/Capsettes™, Burnt Orange	500	10
6057	6037	Uni-Capsettes™/Capsettes™, Lilac	500	10
6058	6038	Uni-Capsettes™/Capsettes™, Gold	500	10
6059	6039	Uni-Capsettes™/Capsettes™, Aqua	500	10
6060	6040	Uni-Capsettes™/Capsettes™, Red	500	10
6061	6041	Uni-Capsettes™/Capsettes™, Chartreuse	500	10
6062	6042	Uni-Capsettes™/Capsettes™, Lime	500	10
6063	6043	Uni-Capsettes™/Capsettes™, Rose	500	10
6064	6044	Uni-Capsettes™/Capsettes™, Peach	500	10
6065	6045	Uni-Capsettes™/Capsettes™, Lavender	500	10



Capsettes™, Green 6033



Uni-Capsettes™, Yellow, 6051

**BIO PLAS, INC. A WOMAN OWNED SMALL BUSINESS**

4380 Redwood Hwy, Suite C-16, San Rafael, CA 94903 USA

Tel: (415) 472-3777 Fax: (415) 472-3758

info@bioplas.com www.bioplas.com

*Histo Plas Capsettes™ and Uni-Capsettes™ are trademarks of Bio Plas, Inc., San Rafael, CA*





## Histo Plas™ Tissue Processing

### Foam Biopsy Pads

The **Foam Biopsy Pads** are fabricated from cellular polyester plastic foam which is manufactured uniformly with air pockets throughout to allow for adequate fluid movement around the tissue while it is securely sandwiched between two pads. This assures the orientation of small biopsy tissue. Available in sizes to fit **Tissue Processing Capsules** and **Capettes**.



Foam Biopsy Pads, Assorted Sizes and Colors

### Embedding Rings

Tissue is taken from the capsules and placed into stainless steel or plastic base molds. The labeled **Embedding Ring** is placed atop the base mold, filled with paraffin and cooled. The rings allow for a uniform block and are readily identified when filled. Available in 3 colors for color coding in the laboratory.



Embedding Ring, Green, 6003

### Tissue Processing Capsules

For a more economical purchase, the Histo Plas™ disposable, polypropylene **Tissue Processing Capsule** is the answer. The one piece unit is hinged, perfectly aligned and easy to use. Simply place the tissue in the Capsule and press the cover down to lock securely. The open mesh construction affords maximum fluid exchange during processing and the durable marking surface assures permanent identification. To embed from the capsule we recommend the tissue **Embedding Ring** system.



Tissue Processing Capsules, 38 x 8, White, 6010

### Ordering Information

Catalog #	Description	Pkg. Qty	Pkgs./ Case
6100	Foam Biopsy Pads (Use with 38mm Capsules), Blue	1000	10
6110	Foam Biopsy Pads (Use with 29mm Capsules), Blue	1000	10
6120	Foam Biopsy Pads (Use with 1 x 1 1/4 Cassettes), Blue	1000	10
6130	Foam Biopsy Pads (Use with 1 x 1 1/4 Cassettes), White	1000	10
6001	Embedding Rings, Yellow	500	10
6002	Embedding Rings, Pink	500	10
6003	Embedding Rings, Green	500	10
6010	Tissue Processing Capsules, 38 x 8, White	500	10
6020	Tissue Processing Capsules, 39 x 6, White	500	10

**BIO PLAS, INC. A WOMAN OWNED SMALL BUSINESS**

4380 Redwood Hwy, Suite C-16, San Rafael, CA 94903 USA

Tel: (415) 472-3777 Fax: (415) 472-3758

info@bioplas.com www.bioplas.com

*Histo Plas™ is a trademark of Bio Plas, Inc., San Rafael, CA*



**BIO PLAS INC.**  
INNOVATIVE IDEAS...  
FOR TODAY'S LABORATORY DISPOSABLES  
MADE IN THE USA



## Micro Tube Tool



Micro Tube Tool, 4000

### Ordering Information

Catalog #	Description	Pkg. Qty	Pkgs./Case
4000	Micro Tube Tool	4	25

*Micro Tube Tool, Patent # 5,253,551*

This handy polypropylene **Micro Tube Tool** opens Snap-Cap and Screw Cap Microcentrifuge Tubes easily, prevents fatigue and saves wear on your fingers and thumbs!

The innovative **Micro Tube Tool** makes it a breeze to open tight-fitting Snap Caps - and it lets you remove Screw Caps while tubes are still in the rack. Convenient and inexpensive, the **Micro Tube Tool** puts an end to difficult maneuvering and straining to open Screw-Cap Tubes and any size Snap Cap Tubes.



The Micro Tube Tool's larger end is a socket wrench for Screw-Cap Micro Tubes.



The Micro Tube Tool's smaller end is used to open a Snap Cap Micro Tube.

**BIO PLAS, INC. A WOMAN OWNED SMALL BUSINESS**  
4380 Redwood Hwy, Suite C-16, San Rafael, CA 94903 USA  
Tel: (415) 472-3777 Fax: (415) 472-3758  
info@bioplas.com www.bioplas.com



## Bio Plas Pestles

**Bio Plas** disposable polypropylene **Pestles** may be used to homogenize cells or re-suspend precipitates such as protein or DNA pellets in buffer solutions. All the packaging options contain products free of detectable RNase, DNase, DNA and Pyrogens. These pestles and tubes are precision manufactured and quality controlled to firmly match together for maximum performance efficiency. Pestles are conveniently packaged into the appropriate size tubes, ready for use and are sterilized.



1.5 mL Blue, 4030-PB

### Ordering Information

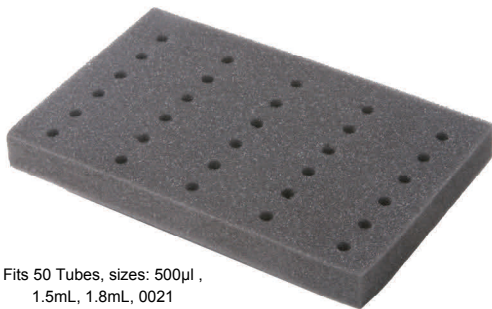
Catalog #	Description	Pkg. Qty	Pkgs./Case
4030-PB	1.5 mL Blue	10 per Bag	25 Bags
4040-PB	0.6 mL Blue	10 per Bag	25 Bags



**BIO PLAS INC.**  
 INNOVATIVE IDEAS...  
 FOR TODAY'S LABORATORY DISPOSABLES  
 MADE IN THE USA



## Polyester Foam Test Tube & Microcentrifuge Tube Racks



Fits 50 Tubes, sizes: 500µl ,  
 1.5mL, 1.8mL, 0021



Fits 50 Tubes, sizes: 15 x 85mm, 16 x 100mm, 16 x  
 125mm, 16 x 150mm, 0011

### ***Polyester Foam Test Tube & Microcentrifuge Tube Racks Benefits:***

- Flame Retardant
- Color: Charcoal
- Long wearing
- Chemical and solvent resistant
- Float on H2O bath with full tube and sample
- Ideal for refrigerated or frozen storage samples
- All tubes can be decanted simultaneously
- Low profile: Will not tip over easily
- Lightweight: Weighs less than two ounces
- Holds and locks 50 culture tubes securely
- Holds and locks 30 microcentrifuge and micro blood collecting tubes securely in racks
- More uniform incubation: Tubes may be pushed down into H2O bath while still being held securely in rack
- May be used in blood drawing trays-holds blood drawing tubes securely

### Ordering Information

Catalog #	Description	Pkg. Qty	Pkgs./Case
0010	Fits 50 Tubes, sizes: 10 x 75mm, 12 x 75mm, 13 x 100mm	6 Racks	5
0011	Fits 50 Tubes, sizes: 15 x 85mm, 16 x 100mm, 16 x 125mm, 16 x 150mm	6 Racks	3
0020	Fits 50 Tubes, sizes: 250µl , 400µl	6 Racks	6
0021	Fits 50 Tubes, sizes: 500µl , 1.5mL, 1.8mL	6 Racks	6

**BIO PLAS, INC. A WOMAN OWNED SMALL BUSINESS**

4380 Redwood Hwy, Suite C-16, San Rafael, CA 94903 USA

Tel: (415) 472-3777 Fax: (415) 472-3758

info@bioplas.com www.bioplas.com

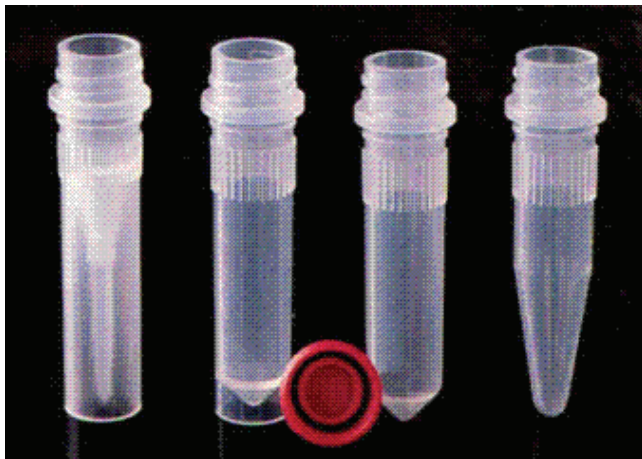


## Screw-Cap Microcentrifuge Tubes

Our **Screw-Cap Microcentrifuge Tube** is ideal for any sample-processing or storage application imaginable-and especially for working with valuable or hazardous cells and materials.

The extraordinary strength, safety and reliability of the **Screw-Cap Microcentrifuge Tube** lets you perform procedures that simply can't be done with other tubes. Spin it, store it, transport it (even by air). Boil it, irradiate it, immerse it in the vapor phase of liquid nitrogen-it'll stand up to the test!

Inside the Screw Cap, our silicone O-Ring forms a secure and leak-proof seal. The **Screw-Cap Microcentrifuge Tube**'s square threads won't strip-and they're on the outside of the tube, so you minimize the risk of contaminating your sample-or letting it contaminate you.



Autoclavable  
at  
250°F  
at  
15 psi  
for  
15 mins

### **Screw Cap Microcentrifuge Tube Benefits:**

- **Sample Integrity:** O-ring creates a positive seal that prevents leaking during processing, storage, or transport. Tube is made of inert virgin-polypropylene copolymer, to minimize the risk of altering samples. Ultra low retention.
- **Universal Use:** Accommodates all fixed angle head microcentrifuges (0.5ml and 2.0ml upright models require adapter Cat. No. 4212). Will withstand maximum G-forces of all current microcentrifuge instruments, up to 25,000 x G.
- **Safe and Reliable:** External threads minimize contamination, material hang-up and loss. Screw cap is made of the same material as tube. RNase and DNase free. Human DNA free. Non-Pyrogenic.
- **Convenient:** Molded ridges on tubes match serrations on racks (Cat. No. 4214), so tubes may be opened with one hand. Upright models stand without a rack. Seamless, conical design lets you extract all of sample with pipette or syringe. Transparent polymer lets you see your sample clearly.
- **Color Coded:** O-Ring Screw Caps available in a variety of 10 different colors.
- **Sturdy and Reusable:** Ideal for freezer storage, boiling, autoclaving and irradiation.

**BIO PLAS, INC. A WOMAN OWNED SMALL BUSINESS**

4380 Redwood Hwy, Suite C-16, San Rafael, CA 94903 USA

Tel: (415) 472-3777 Fax: (415) 472-3758

info@bioplas.com www.bioplas.com



Ordering Information			
Catalog #	Description	Pkg. Qty	Pkgs./ Case
4200	Conical, 0.5ml upright, polypropylene, Natural	1000	10
4201	Conical, 0.5ml upright, polypropylene, Amber	1000	10
4202	Conical, 1.5ml, polypropylene, Natural	1000	10
4203	Conical, 2.0ml, polypropylene, Natural	1000	10
4204	Conical, 2.0ml, upright polypropylene, Natural	1000	10
4211	"O" Ring, ethylene-propylene, Black	1000	10
4212	MicroCentrifuge Tube Adapter Ring, Polypropylene, Natural	1000	10
4215	Screw-Caps for Microcentrifuge Tubes, Polypropylene, Natural	1000	10
4216	Screw-Caps for Microcentrifuge Tubes, Polypropylene, Blue	1000	10
4217	Screw-Caps for Microcentrifuge Tubes, Polypropylene, Yellow	1000	10
4218	Screw-Caps for Microcentrifuge Tubes, Polypropylene, Red	1000	10
4219	Screw-Caps for Microcentrifuge Tubes, Polypropylene, Pink	1000	10
4220	Screw-Caps for Microcentrifuge Tubes, Polypropylene, Green	1000	10
4221	Screw-Caps for Microcentrifuge Tubes, Polypropylene, Orange	1000	10
4222	Screw-Caps for Microcentrifuge Tubes, Polypropylene, Black	1000	10
4223	Screw-Caps for Microcentrifuge Tubes, Polypropylene, Violet	1000	10
4224	Screw-Caps for Microcentrifuge Tubes, Polypropylene, Amber	1000	10
4215R	Screw-Caps for Microcentrifuge Tubes <b>with O-Ring</b> , Polypropylene, Natural	1000	10
4216R	Screw-Caps for Microcentrifuge Tubes <b>with O-Ring</b> , Polypropylene, Blue	1000	10
4217R	Screw-Caps for Microcentrifuge Tubes <b>with O-Ring</b> , Polypropylene, Yellow	1000	10
4218R	Screw-Caps for Microcentrifuge Tubes <b>with O-Ring</b> , Polypropylene, Red	1000	10
4219R	Screw-Caps for Microcentrifuge Tubes <b>with O-Ring</b> , Polypropylene, Pink	1000	10
4220R	Screw-Caps for Microcentrifuge Tubes <b>with O-Ring</b> , Polypropylene, Green	1000	10
4221R	Screw-Caps for Microcentrifuge Tubes <b>with O-Ring</b> , Polypropylene, Orange	1000	10
4222R	Screw-Caps for Microcentrifuge Tubes <b>with O-Ring</b> , Polypropylene, Black	1000	10
4223R	Screw-Caps for Microcentrifuge Tubes <b>with O-Ring</b> , Polypropylene, Violet	1000	10
4224R	Screw-Caps for Microcentrifuge Tubes <b>with O-Ring</b> , Polypropylene, Amber	1000	10
4214	40 Place Keyed Rack, Anodized Aluminum	1	1



Screw-Caps for Microcentrifuge Tubes **with O-Ring**, Polypropylene, Natural, 4215R



Conical, 0.5ml upright, polypropylene, Natural , 4200



Screw-Caps for Microcentrifuge Tubes **with O-Ring**, Polypropylene, Blue, 4216R



Conical, 0.5ml upright, polypropylene, Amber , 4201

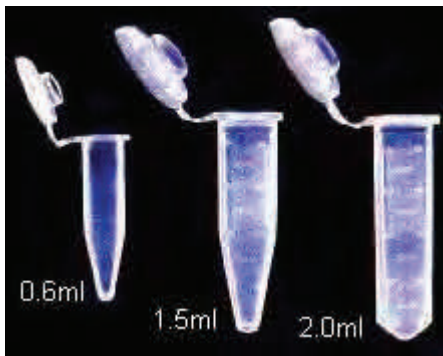
**BIO PLAS, INC. A WOMAN OWNED SMALL BUSINESS**  
 4380 Redwood Hwy, Suite C-16, San Rafael, CA 94903 USA  
 Tel: (415) 472-3777 Fax: (415) 472-3758  
 info@bioplas.com www.bioplas.com



## Siliconized G-Tube® Flat Top Microcentrifuge

Designed for use in biotechnology laboratories such as preparing samples for thermal cycling or whenever complete sample recovery is important. The Siliconized **G-Tube® Flat Top Microcentrifuge Tube** is molded from a siliconized virgin polypropylene that exhibits extremely low surface adhesion providing maximum sample recovery.

The Siliconized **G-Tube** is built for high impact usage and will withstand over 30,000 x g when spun. Thicker walls make this the tube of choice for extreme stress, high spinning speeds, boiling, chemical resistance and freezing. Will withstand temperature ranges of -80°C (-112°F) to 121°C (250°F).



### Ordering Information

Catalog #	Description	Pkg. Qty	Pkgs./ Case
4160SL	0.6ml Siliconized G-Tube® MCT, Natural	500	20
4162SLS	0.6ml G-Tube® MCT, Natural, Individually Wrapped, Sterile	250	20
4165SL	1.5 Siliconized G-Tube® MCT, Natural	500	20
4167SLS	1.5ml G-Tube® MCT, Natural, Individually Wrapped, Sterile	250	20
4168SL	2.0 Siliconized G-Tube® MCT, Natural	500	20
4169SLS	2.0ml G-Tube® MCT, Natural, Individually Wrapped, Sterile	250	20

Caution: Siliconized Products are NOT autoclavable! Minimum order 1 case.

### Siliconized G-Tube® Flat Top Microcentrifuge Tube Benefits:

- No special locking cap devices needed
- Safe sample deposit
- Highest impact tube strength with the smoothest interior surface
- Lid Closure: The flat top lid forms an extra-tight seal that will not come open during processing. Yet, it's easy to open with thumb pressure or our handy MicroTube Tool (catalog #4000).
- Inscribing Patches: All flat top tubes have a textured writing surface on top of the caps. The 1.5ml and 2.0 mL tubes have an additional textured writing surface on the side of the tubes.
- Graduation: The 1.5ml tube is graduated from 0.1 to 1.5ml. The 2.0ml tube is graduated from 0.1 to 2.0ml.
- Finish: The interior has the smoothest, most highly polished surface of any tube on the market. The walls are non-wettable, preventing liquids from adhering to the sides.
- Needle Access: You can easily insert a needle through the target in the exact center of the lid

**BIO PLAS, INC. A WOMAN OWNED SMALL BUSINESS**

4380 Redwood Hwy, Suite C-16, San Rafael, CA 94903 USA

Tel: (415) 472-3777 Fax: (415) 472-3758

info@bioplas.com www.bioplas.com

G-Tube® is a registered trademark of Bio Plas, Inc., San Rafael, CA



## Siliconized Screw Cap Microcentrifuge Tubes

These tubes are ideal for packaging, transporting and storage of any diagnostic test, especially in the area of biotechnology, biological products and reagents.

### Siliconized Screw Cap Microcentrifuge Tube Benefits:

- An extremely low surface adhesion, ideal for protein or nucleic acid studies to prevent any possible loss of sample due to adherence to the inner walls of the tube allowing complete sample recovery
- A positive Screw Cap seal with an "O"-Ring designed to provide a safe, reliable secure fit even for repeated cap closures
- Can withstand centrifugal forces up to 25,000 x G and are available in four configurations of tubes, both sterile and non-sterile
- A tight seal closure eliminates accidental opening during incubation, spinning or transporting



Conical 0.5ml, Siliconized Screw Cap MCT, upright, polypropylene, Natural, 4200SL



Conical 1.5ml, Siliconized Screw Cap MCT, polypropylene, Natural-Sterile, 4203SLS

### Ordering Information

Catalog #	Description	Pkg. Qty	Pkgs./ Case
4200SL	Conical 0.5ml, Siliconized Screw Cap MCT, upright, polypropylene, Natural	1000	10
4202SL	Conical 1.5ml, Siliconized Screw Cap MCT, polypropylene, Natural	1000	10
4203SL	Conical 2.0ml, Siliconized Screw Cap MCT, polypropylene, Natural	1000	10
4204SL	Conical 2.0ml, Siliconized Screw Cap MCT, upright, polypropylene, Natural	1000	10
4200SLS	Conical 0.5ml, Siliconized Screw Cap MCT, upright, polypropylene, Natural-Sterile	1000	10
4202SLS	Conical 1.5ml, Siliconized Screw Cap MCT, polypropylene, Natural-Sterile	1000	10
4203SLS	Conical 2.0ml, Siliconized Screw Cap MCT, polypropylene, Natural-Sterile	1000	10
4204SLS	Conical 2.0ml, Siliconized Screw Cap MCT, upright, polypropylene, Natural-Sterile	1000	10
4215RSL	Siliconized Screw Cap with "O"-Ring, polypropylene, Natural	1000	10

**BIO PLAS, INC. A WOMAN OWNED SMALL BUSINESS**

4380 Redwood Hwy, Suite C-16, San Rafael, CA 94903 USA

Tel: (415) 472-3777 Fax: (415) 472-3758

info@bioplas.com www.bioplas.com





## Snap-Cap Microcentrifuge Tubes



Various sizes of the Snap-Cap Microcentrifuge Tubes

The **Snap-Cap Microcentrifuge Tube** gives a firm, dependable seal, and its tough virgin-polypropylene construction withstands the rugged G-forces of high-speed centrifugation, up to 25,000 x G. Use it with confidence for specimen collection, mixing, electrophoresis sampling/handling, enzyme assays, radioassays, immunoassays and many other applications. Ultra low retention. RNase and DNase free. Human DNA free. Non-Pyrogenic.

The **Snap-Cap Microcentrifuge Tube** is available in five sizes, 250µl, 400µl, 500µl, 1.5ml and 1.8ml. All sizes have attached, tight-fitting Snap-Caps for optimal sealing during sample processing and centrifugation. Colors: Natural (white) for 250µl, 400µl, and 500µl. The 1.5 ml and 1.8ml sizes are available in natural and four additional colors for color-coding.

The **Snap-Cap Microcentrifuge Tube's** smooth, conical interior lets you remove your entire sample with ease, and without material hangup. You can even cut it to remove a spun pellet. The Snap-Cap is attached to each tube, and the entire unit is autoclavable at 250°F at 15 psi for 15 minutes. Fits Beckman™, Eppendorf™ and all other microcentrifuges.

Autoclavable  
 at  
 250°F  
 at  
 15 psi  
 for  
 15 mins

### Ordering Information

Catalog #	Description	Pkg. Qty	Pkgs./ Case
4003	Micro-Centrifuge Tube 400µl, Polypropylene , White	1000	10
4004	Micro-Centrifuge Tube 400µl, Polyethylene, White	1000	10
4005	Micro-Centrifuge Tube 500µl, Polypropylene, White	1000	10
4025	Micro-Centrifuge Tube 250µl, Polyethylene, White	1000	10
4150	Micro-Centrifuge Tube 1.5ml, Polypropylene , White	1000	10
4151	Micro-Centrifuge Tube 1.5ml, Polypropylene , Red	1000	10
4152	Micro-Centrifuge Tube 1.5ml, Polypropylene , Yellow	1000	10
4153	Micro-Centrifuge Tube 1.5ml, Polypropylene , Blue	1000	10
4154	Micro-Centrifuge Tube 1.5ml, Polypropylene , Green	1000	10
4155	Micro-Centrifuge Tube 1.8ml, Polypropylene , White	1000	10
4156	Micro-Centrifuge Tube 1.8ml, Polypropylene , Red	1000	10
4157	Micro-Centrifuge Tube 1.8ml, Polypropylene , Yellow	1000	10
4158	Micro-Centrifuge Tube 1.8ml, Polypropylene , Blue	1000	10
4159	Micro-Centrifuge Tube 1.8ml, Polypropylene , Green	1000	10
4000	Micro Tube Tool	4	25



## Sterilized Cryogenic Tubes

Sterilized by E-Beam, our advanced **Sterilized Cryogenic Tubes** have an O-Ring Screw Cap for a positive, leak-proof seal. They're designed for safe storage of cells or biological fluids in the vapor phase of liquid nitrogen or any mechanical freezer. The **Sterilized Cryogenic Tubes** are ideal for sperm, serum or blood specimens, micro- biological cultures, cell cultures, and hazardous or valuable samples.

The rugged, proprietary copolymer and uniform wall construction will stand up to any current microcentrifuge. Plus, our tubes' external threads prevent leaking even under the pressure changes of air transport. No tube offers more security to your sample!

### Sterilized Cryogenic Tube Benefits:

- **Sample Integrity:** Sterilized by E-Beam. Non-toxic and non-pyrogenic. Screw cap with internal O-ring forms a leak-proof seal during processing and storage.
- **Safe and Efficient:** External thread eliminates material hang-up and minimizes chance of contaminating you or your sample. Square threads won't strip.
- **Convenient:** Conical design lets you retrieve your entire sample. Upright models stand without a rack. Molded ridges match racks (Cat. No. 4212), so you can open and close tube with one hand. Tubes fit all fixed angle head microcentrifuges (upright models require adapter Cat. No. 4212).
- **Sturdy:** Virtually unbreakable. Will withstand maximum G-forces of all current microcentrifuges when used with fixed angle heads.



Conical 0.5ml, upright, polypropylene, Sterile, Amber, 50/bag, 10 bags/pkg.4201S

### Ordering Information

Catalog #	Description	Pkg. Qty	Pkgs./ Case
4200S	Conical 0.5ml, upright, polypropylene, Sterile, Natural , 50/bag, 10 bags/pkg.	500	2
4201S	Conical 0.5ml, upright, polypropylene, Sterile, Amber, 50/bag, 10 bags/pkg.	500	2
4202S	Conical 1.5ml, polypropylene, Sterile, Natural , 50/bag, 10 bags/pkg.	500	2
4203S	Conical 2.0ml, polypropylene, Sterile, Natural , 50/bag, 10 bags/pkg.	500	2
4204S	Conical 2.0ml, upright, polypropylene, Sterile, Natural , 50/bag, 10 bags/pkg.	500	2

Caution: Siliconized Products are NOT autoclavable! Minimum order 1 case.

### BIO PLAS, INC. A WOMAN OWNED SMALL BUSINESS

4380 Redwood Hwy, Suite C-16, San Rafael, CA 94903 USA

Tel: (415) 472-3777 Fax: (415) 472-3758

info@bioplas.com www.bioplas.com



## **"The Original" Uni-Flex® Safety Caps**

A safe, economical way to cap and recap blood collection tubes and disposable glass culture tubes, regardless of manufacturer. **Uni-Flex® Safety Caps** are available for a wide range of biomedical and industrial applications.

The **Uni-Flex® Safety Cap** liquid tight seal ensures sample integrity and prevents spillage of serum samples. **Uni-Flex® Safety Caps** protect your laboratory staff from the aerosols of highly infectious organisms such as TB and the HTLV-III virus.



### **Uni-Flex® Safety Caps Benefits:**

- Will not aerosol when opened
- 10, 12, 13 and 16mm sizes fit all varieties of blood collecting and disposable culture tubes
- Liquid tight seal prevents sample evaporation. **The Uni-Flex® Safety Cap** is designed to hold under centrifugation, agitation, refrigeration and freezing.
- Easy identification of samples: **Uni-Flex® Safety Caps** are available in seven colors that conveniently correspond to blood collection cap colors
- Stretchable, unique over-locking design is far superior to Parafilm™. Locks securely onto the outside of the tube lip to prevent evaporation.
- Easy, one hand removal and application. To close, press down firmly with thumb to lock in place. To open, simply pry cap up with thumb.
- Easy to label: Write directly on the cap with indelible ink
- Clear, natural colored caps are trace-metal free
- OEM product packaging

### **BIO PLAS, INC. A WOMAN OWNED SMALL BUSINESS**

4380 Redwood Hwy, Suite C-16, San Rafael, CA 94903 USA

Tel: (415) 472-3777 Fax: (415) 472-3758

info@bioplas.com www.bioplas.com

Uni-Flex® is a registered trademark of Bio Plas, Inc., San Rafael, CA



### Ordering Information

Catalog #	Description	Color	Pkg. Qty.	Pkgs./ Case
6500	Uni-Flex®Safety Caps for 10mm Blood Collecting & Culture Tubes	White	1,000	10
6505	Uni-Flex®Safety Caps for 10mm Blood Collecting & Culture Tubes	Red	1,000	10
6510	Uni-Flex®Safety Caps for 10mm Blood Collecting & Culture Tubes	Lavender	1,000	10
6515	Uni-Flex®Safety Caps for 10mm Blood Collecting & Culture Tubes	Green	1,000	10
6520	Uni-Flex®Safety Caps for 10mm Blood Collecting & Culture Tubes	Blue	1,000	10
6525	Uni-Flex®Safety Caps for 10mm Blood Collecting & Culture Tubes	Grey	1,000	10
6530	Uni-Flex®Safety Caps for 10mm Blood Collecting & Culture Tubes	Yellow	1,000	10
6550	Uni-Flex®Safety Caps for 12mm Culture Tubes & 13mm Blood Collecting Tubes	White	1,000	10
6555	Uni-Flex®Safety Caps for 12mm Culture Tubes & 13mm Blood Collecting Tubes	Red	1,000	10
6560	Uni-Flex®Safety Caps for 12mm Culture Tubes & 13mm Blood Collecting Tubes	Lavender	1,000	10
6565	Uni-Flex®Safety Caps for 12mm Culture Tubes & 13mm Blood Collecting Tubes	Green	1,000	10
6570	Uni-Flex®Safety Caps for 12mm Culture Tubes & 13mm Blood Collecting Tubes	Blue	1,000	10
6575	Uni-Flex®Safety Caps for 12mm Culture Tubes & 13mm Blood Collecting Tubes	Grey	1,000	10
6580	Uni-Flex®Safety Caps for 12mm Culture Tubes & 13mm Blood Collecting Tubes	Yellow	1,000	10
6600	Uni-Flex®Safety Caps for 13mm Culture Tubes	White	1,000	10
6605	Uni-Flex®Safety Caps for 13mm Culture Tubes	Red	1,000	10
6610	Uni-Flex®Safety Caps for 13mm Culture Tubes	Lavender	1,000	10
6615	Uni-Flex®Safety Caps for 13mm Culture Tubes	Green	1,000	10
6620	Uni-Flex®Safety Caps for 13mm Culture Tubes	Blue	1,000	10
6625	Uni-Flex®Safety Caps for 13mm Culture Tubes	Grey	1,000	10
6630	Uni-Flex®Safety Caps for 13mm Culture Tubes	Yellow	1,000	10
6700	Uni-Flex®Safety Caps for 16mm Blood Collecting & Culture Tubes	White	1,000	10
6705	Uni-Flex®Safety Caps for 16mm Blood Collecting & Culture Tubes	Red	1,000	10
6710	Uni-Flex®Safety Caps for 16mm Blood Collecting & Culture Tubes	Lavender	1,000	10
6715	Uni-Flex®Safety Caps for 16mm Blood Collecting & Culture Tubes	Green	1,000	10
6720	Uni-Flex®Safety Caps for 16mm Blood Collecting & Culture Tubes	Blue	1,000	10
6725	Uni-Flex®Safety Caps for 16mm Blood Collecting & Culture Tubes	Grey	1,000	10
6730	Uni-Flex®Safety Caps for 16mm Blood Collecting & Culture Tubes	Yellow	1,000	10



Uni-Flex®Safety Caps for 10mm Blood Collecting & Culture Tubes, 6525



Uni-Flex®Safety Caps for 13mm Culture Tubes, 6620



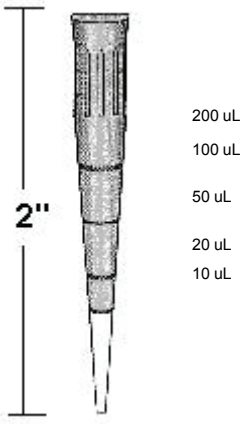
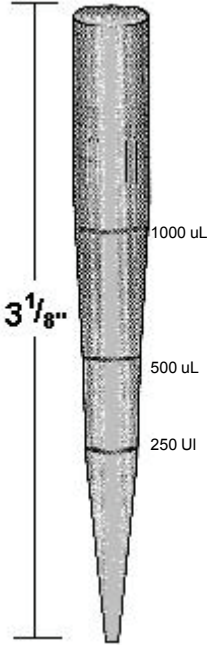
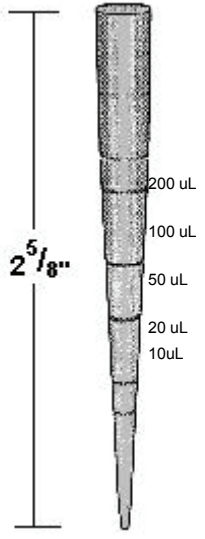
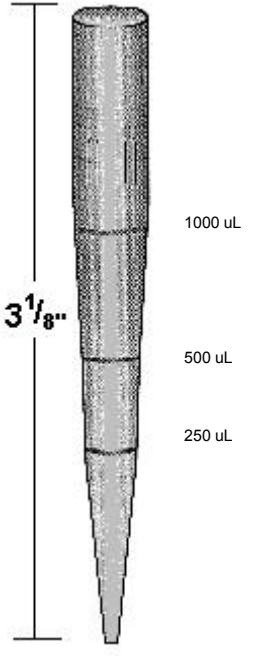
Uni-Flex®Safety Caps for 13mm Culture Tubes, 6605

**BIO PLAS, INC. A WOMAN OWNED SMALL BUSINESS**  
 4380 Redwood Hwy, Suite C-16, San Rafael, CA 94903 USA  
 Tel: (415) 472-3777 Fax: (415) 472-3758  
 info@bioplas.com www.bioplas.com

*Uni-Flex® is a registered trademark of Bio Plas, Inc., San Rafael, CA*



## Pipet Tips: Reference Tips

Reference Pipet Tips				Reference Slim Pipet Tips			
A – 1-250 uL		B – 101-1000 uL		C – 1-200 uL		D – 101-1000 uL	
<b>Replacement for:</b>		<b>Replacement for:</b>		<b>Replacement for:</b>		<b>Replacement for:</b>	
Eppendorf®	1-100 uL	Oxford®	200-1000 uL	Oxford® Series:		Oxford® Series:	
Pipetman™	1-200 uL	Eppendorf®	101-1000 uL	8000	10-200 uL	8000	600-1000 uL
Finnpipette	1-250 uL	Pipetman™	200-1000 uL	9000 Model Q	10-200 uL	9000 Model Q	600-1000 uL P-7000
Socorex	5-100 uL	Finnpipette	200-1000 uL	P-7000	1-200 uL	200-1000 uL	
		Finnpipette	200-1000 uL	3000	Adjustable Abbott	3000	Adjustable Abbott
		Socorex	101-1000 uL	1-200 uL Helena		600-1000 uL Helena	
				Quickpette	10-200 uL	Quickpette	501-1000 uL
							

### Ordering Information

A				B				C				D			
Catalog #	Tips/Rack	Tips/Pkg	Pkg.Cs	Catalog #	Tips/Rack	Tips/Pkg	Pkg.Cs	Catalog #	Tips/Rack	Tips/Pkg	Pkg.Cs	Catalog #	Tips/Rack	Tips/Pkg	Pkg.Cs
0001	N/A	1000	10	0002	N/A	1000	10	1012	N/A	1000	10	1212	N/A	1000	10
0001R	250	1000	10	0002R	250	1000	10	1012R	250	1000	10	1212R	250	1000	10
0001RN	96	960	10	0002RN	100	10000	5	N/A	N/A	N/A	N/A	1212RN	100	10000	5
0001RS1	96	960	10	0002RS1	100	1000	5	N/A	N/A	N/A	N/A	1212RS1	100	1000	5

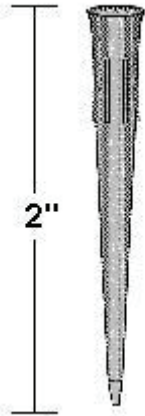
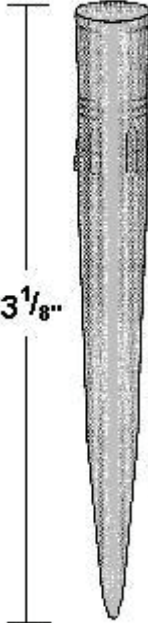
**BIO PLAS, INC. A WOMAN OWNED SMALL BUSINESS**  
 4380 Redwood Hwy, Suite C-16, San Rafael, CA 94903 USA  
 Tel: (415) 472-3777 Fax: (415) 472-3758  
 info@bioplas.com www.bioplas.com

Autoclavable  
 at  
 250°F  
 at  
 15 psi  
 for  
 15 mins



## Uni-Tip™ Universal Pipet Tips

Racked pipet tips allow the user to mount pipet tips in one efficient motion. The rack design features a seamless bottom that does not “breathe in” bench debris and contaminate tips when rack lid is opened. Racks are autoclavable at 250° F for 15 minutes at 15 psi.

1 – 250 uL	101 – 1000 uL
 <p style="text-align: center;">2"</p>	 <p style="text-align: center;">3 1/8"</p>
<p><b>Replacement for:</b></p> <p>Eppendorf® 1-100 uL          Pipetman™ 1-200 uL          Finnpiquette 1-250 uL          Socorex 5-100 uL</p>	<p><b>Replacement for:</b></p> <p>Eppendorf® 101-1000 uL          Pipetman™ 200-1000 uL          Oxford® 200-1000 uL          Finnpiquette 200-1000 uL          Socorex 101-1000 uL</p>

Ordering Information							
1-250 uL				101-1000 uL			
Catalog #	Tips/ Rack	Tips/ Pkg	Pkg.Cs	Catalog #	Tips/ Rack	Tips/ Pkg	Pkg.Cs
0003	N/A	1000	10	0004	N/A	1000	10
0003R	250	1000	10	0004R	250	1000	10
0003RN	96	960	10	0004RN	100	10000	10
0003RS1	96	960	10	0004S1	100	1000	10

### Uni-Tips™ Benefits:

- Fit Multiple Brand Name Ejector Models
- Inventory Reduction
- Rimless
- Racked or In Bulk

Autoclavable  
 at  
 250°F  
 at  
 15 psi  
 for  
 15 mins

**BIO PLAS, INC. A WOMAN OWNED SMALL BUSINESS**

4380 Redwood Hwy, Suite C-16, San Rafael, CA 94903 USA

Tel: (415) 472-3777 Fax: (415) 472-3758

info@bioplas.com www.bioplas.com



## Economical Alternatives to Brand Name Pipet Tips

Made from virgin, non-wettable polypropylene, these tips are designed to replace specific manufacturer's tips.

For easy selection of replacement tips for your particular brand pipetter:

1. Find the brand you are currently using on the chart below. Example: Eppendorf®.
2. Find the tip volume. Example: 1-100 uL
3. Find the Tip Code at the bottom of the chart and use the code to locate the diagram and catalog number for the replacement tip in the charts on the following pages.

Equivalent pipet tips are available in bulk packaging (bagged) or racked



Bulk 1000/Bag

**Bag**












**Rack**

Racks are autoclavable to 250° F for 15 minutes at 15 psi

### BRAND NAME CROSS REFERENCE

Manufacturer/Brand	Tip Volume Range, uL																		
	100-1000	1-100	101-1000	1-250	200-1000	1-200	200-1000	10-200	250-1000	1-250	5-200	1-200	250-500	600-1000	250-1000	5-500	5-100	101-1000	
C/A Selecapette																			
Eppendorf®																			
Finnpipette																			
Gilson Pipetman™																			
MLA®																			
Multi-Channel Titertek® and Octapette®																			
Oxford®																			
Oxford® Slim Tip																			
Sherwood/Lancer																			
Wheaton/Socorex																			
<b>Tip Code</b>	<b>A</b>	<b>B</b>	<b>C</b>	<b>D</b>	<b>E</b>	<b>F</b>	<b>G</b>	<b>H</b>	<b>I</b>	<b>J</b>	<b>K</b>	<b>L</b>	<b>M</b>	<b>N</b>	<b>O</b>	<b>P</b>	<b>Q</b>	<b>R</b>	












REPLACEMENT TIP CHART			Catalog Numbers			
Tip Code	Diagram	Length In.	Wells/Rack	Racks /pkg.	Racked	Bag (1000)
A	 Natural	4	N/A	N/A	N/A	1800
B	 Yellow	2	250 96 96	4 10 10	1300R 1300RN 1300RS1	1300
C	 Blue	3 1/2	250 100 100	4 10 10	1400R 1400RN 1400RS1	1400
D	 Natural	2	250 96 96	4 10 10	2400R 2400RN 2400RS1	2400
E	 Green	3 1/2	250 100 100	4 10 10	2500R 2500RN 2500RS1	2500
F	 Yellow	2	250 96 96	4 10 10	2000R 2000RN 2000RS1	2000
G	 Blue	3 1/2	250 100 100	4 10 10	2100R 2100RN 2100RS1	2100
H	 Natural	1 1/2	250 96 96	4 10 10	1600R 1600RN 1600RS1	1600
I	 Natural	3 1/2	250	4	1700R	1700

**BIO PLAS, INC. A WOMAN OWNED SMALL BUSINESS**  
 4380 Redwood Hwy, Suite C-16, San Rafael, CA 94903 USA  
 Tel: (415) 472-3777 Fax: (415) 472-3758  
 info@bioplas.com www.bioplas.com





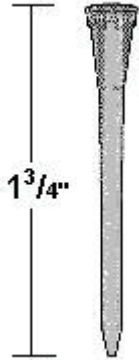
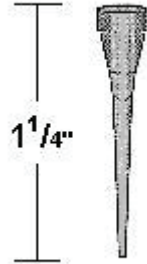
REPLACEMENT TIP CHART			Catalog Numbers			
Tip Code	Diagram	Length In.	Wells/Rack	Racks /pkg.	Racked	Bag (1000)
J	 Natural	2	96 96 96	10 10 10	3500R 3500RN 3500RS1	3500
K	 Natural	1 3/4	250	4	1000R	1000
L	 Natural	2 3/4	250	4	1010R	1010
M	 Yellow	2 3/16				1100
N	 Green	3 3/4	250 100 100	4 10 10	1200R 1200RN 1200RS1	1200
O	 Blue	3	250 100 100	4 10 10	1211R 1211RN 1211RS1	1211
P	 Natural	2 3/4				1500
Q	 Yellow	2	250 96 96	4 10 10	2600R 2600RN 2600RS1	2600
R	 Blue	1 3/4	250 100 100	4 10 10	2700R 2700RN 2700RS1	2700

**BIO PLAS, INC. A WOMAN OWNED SMALL BUSINESS**  
 4380 Redwood Hwy, Suite C-16, San Rafael, CA 94903 USA  
 Tel: (415) 472-3777 Fax: (415) 472-3758  
 info@bioplas.com www.bioplas.com



## Ultra-Micro Pipet Tips

Designed to fit the full range of Eppendorf®, Pipetman™ and Oxford® Benchmate® Ultra Micro Pipetters. Thin, tapered delivery end eliminates carryover during pipetting. Manufactured with natural virgin polypropylene and warranted to be trace metal free. Racked pipet tips allow the user to mount pipet tips in one efficient motion. The rack design features a seamless bottom that does not “breathe in” bench debris and contaminate tips when rack lid is opened. Racks are autoclavable at 250° F for 15 minutes at 15 psi.

0.5 – 10 uL		0.1 – 10 uL	
	<p><b>Replacement for:</b></p> <p>Eppendorf® 0.5-10 uL            Oxford® Benchmate® 0.5-10 uL</p>		<p><b>Replacement for:</b></p> <p>Pipetman™            Model P-2 0.1-2.0 uL            Model P-10 0.5-10 uL</p>

### Ordering Information

0.5 – 10 uL				0.1 – 10 uL			
Catalog #	Tips/Rack	Tips/Pkg	Pkg.Cs	Catalog #	Tips/Rack	Tips/Pkg	Pkg.Cs
1310	N/A	1000	10	2010	N/A	1000	10
1310RN	96	960	10	2010RN	96	960	10
1310RS1	96	960	10	2010RS1	96	960	10

**BIO PLAS, INC. A WOMAN OWNED SMALL BUSINESS**  
 4380 Redwood Hwy, Suite C-16, San Rafael, CA 94903 USA  
 Tel: (415) 472-3777 Fax: (415) 472-3758  
 info@bioplas.com www.bioplas.com

Autoclavable  
 at  
 250°F  
 at  
 15 psi  
 for  
 15 mins



## Siliconized Pipet Tips

Universal fit that will provide an absolute seal on these single channel pipettors.



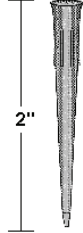
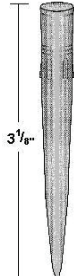
**Siliconized Pipet Tips** are not recommended for autoclaving.

### Siliconized Pipet Tips Benefits:

- Specially formatted siliconized polypropylene to help eliminate sample residue and cross-contamination
- Allows for precise and complete sample delivery
- Ideal for use in DNA and Thermal Cycling Procedures
- Low adhesion surface assures complete transfer of samples
- Prevents protein or nucleic acid adherence

### Ordering Information

Catalog #	Description	Pkg. Qty	Pkgs./ Case
3600SL	Siliconized Uni-Tip, 1-200uL, Natural	500	20
3601SRS	Siliconized Uni-Tip, 1-200uL - Racked <i>Sterile</i> , Natural	96 x 10	1
3605SL	Siliconized Uni-Tip, 100-1000uL, Natural	500	20
3606SRS	Siliconized Uni-Tip, 100-1000uL - Racked - <i>Sterile</i> , Natural	100 x 10	1
3620SL	Siliconized Eppendorf/Oxford Ultra Micro Tip, 0.5-10uL, Natural	500	20
3621SRS	Siliconized Eppendorf/Oxford Ultra Micro Tip, 0.5-10uL - Racked - <i>Sterile</i> , Natural	96 x 10	1
3625SL	Siliconized Pipetma Ultra Micro Tip, 0.1-10uL, Natural	500	20
3626SRS	Siliconized Pipetma Ultra Micro Tip, 0.1-10uL - Racked, Natural	96 x 10	1

0.5-10uL	0.1-10uL
 <p>Replacement for:  Eppendorf® (45mm)</p>	 <p>Replacement for:  Pipetman™  Model P2-P10 (31mm)</p>
1 - 200 uL	100-1000 uL
 <p>Replacement for:  Eppendorf® 1-100 uL Pipetman™ 1-200 uL Finnpipette 1-250 uL Socorex 5-100 uL</p>	 <p>Replacement for:  Eppendorf® 101-1000 uL Pipetman™ 200-1000 uL Oxford® 250-1000 uL Finnpipette 200-1000 uL Socorex 101-1000 uL</p>

**BIO PLAS, INC. A WOMAN OWNED SMALL BUSINESS**

4380 Redwood Hwy, Suite C-16, San Rafael, CA 94903 USA

Tel: (415) 472-3777 Fax: (415) 472-3758

info@bioplas.com www.bioplas.com